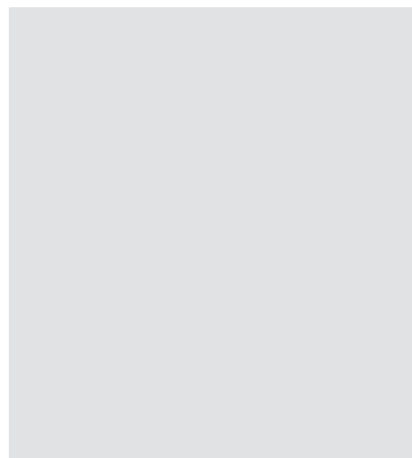


## EN 574, Type IIIC P2HZ X1



Two-hand relay in accordance with VDE 0113-1, 11/98, EN 60204-1, 12/97 and IEC 204-1, 11/98.

### Features

- 2 semiconductor outputs (Fault, CH.1/CH. 2)
- Conforms to type IIIC in accordance with EN 574 and category 4 in accordance with EN 954-1

### Approvals

	P2HZ X1
	●
	●
	●

Technical Details	P2HZ X1
<b>Electrical Data</b>	
Supply Voltage	AC: 24, 42, 48, 110, 115, 120, 200, 230, 240 V DC: 24 V
Tolerance	85 ... 110 %
Power Consumption	Approx. 6 VA/2.5 W
Residual Ripple DC	10 %
Voltage and Current at the Input Circuits 1/2	N/C: 24 VDC, 20 mA N/O: 24 VDC, 10 mA
Switching Capability in accordance with EN 60947-4-1, 10/91	AC1: 240 V/6 A/1500 VA DC1: 24 V/5 A/120 W
EN 60947-5-1, 111/97 (DC13: 6 cycles/min.)	AC15: 230 V/2.5 A; DC13: 24 V/1.5 A
Output Contacts	3 safety contacts (N/O), 1 auxiliary contact (N/C)
Contact Fuse Protection (EN 60947-5-1, 11/97)	6 A quick or 4 A slow
<b>Times</b>	
Response time (delay-on de-energisation)	N/O: approx. 15 ms, N/C: approx. 30 ms
Recovery Time	Min. 250 ms
Simultaneity channel 1/2	< 0.5 s
<b>Environmental Data</b>	
Storage Temperature	-25 ... +85 °C
<b>Mechanical Data</b>	
Maximum Cross Section of External Conductors	2 x 1.5 mm <sup>2</sup> Single-core or multi-core with crimp connectors
Dimensions (H x W x D)	87 x 45 x 121 mm
Weight	AC: 390 g, DC: 290 g

### Description

- 45 mm, P-93 housing, DIN-Rail mounting
- Positive-guided relay outputs:
  - 3 safety contacts (N/O)
  - 1 auxiliary contact (N/C)
- Increase in the number of safety contacts available by connecting expander modules
- LEDs for power, channel 1 and channel 2

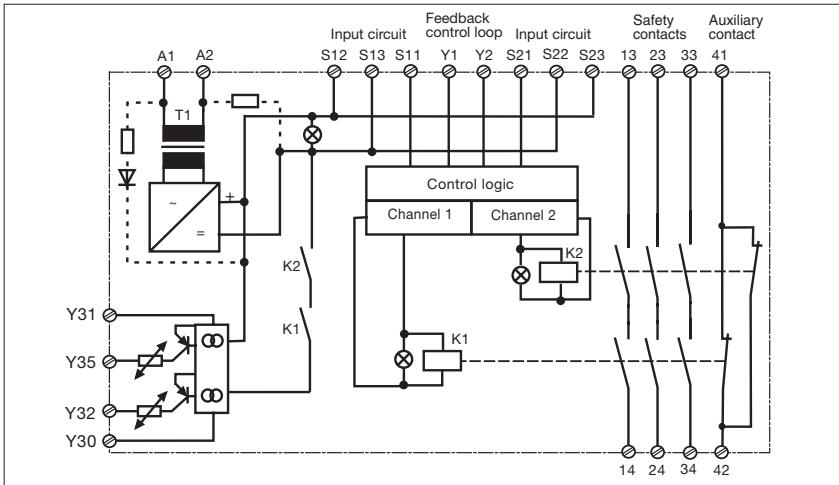
is interrupted by releasing one or both buttons to stop the output. The output signal can only be reinitiated after both inputs have been released and the pushbuttons are operated again.

### Function Description

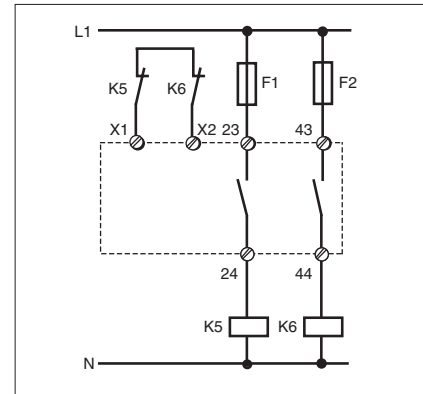
The two-hand relay is a safety device to ensure that operators keep their hands away from the danger zone. The relay is suitable for use with mechanical and hydraulic presses, or in safety circuits. A cycle can only be initiated by pressing the two pushbuttons simultaneously (within 0.5 s). A cycle

## EN 574, Type IIIC P2HZ X1

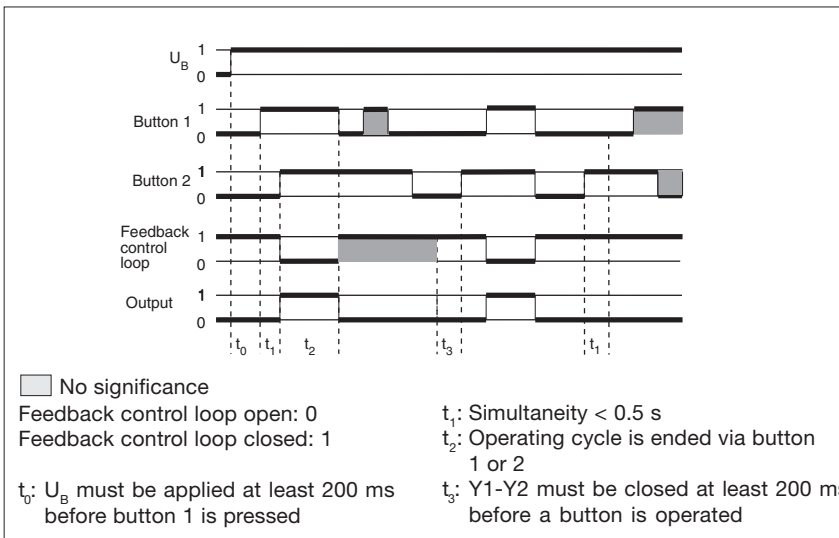
### Internal Wiring Diagram



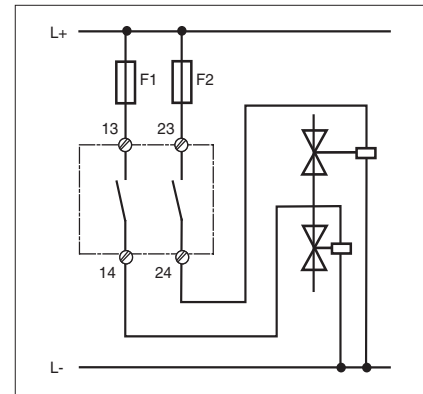
● Increase in safety contacts  
The number of output contacts can be increased by using expander modules or relays/contactors with positive-guided contacts.



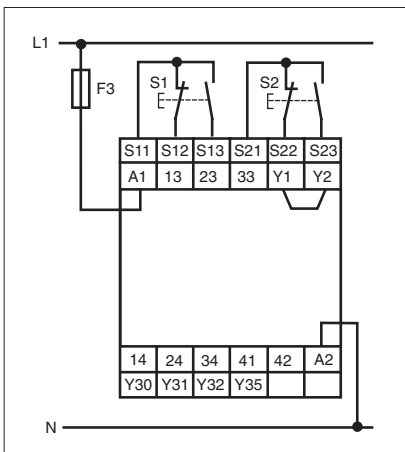
### Function Diagram



– Driving a load



### Connection Example



– Key

S1/S2: Two-hand pushbuttons

## EN 574, Type IIIC P2HZ X1

### General Technical Data

Unless stated otherwise in the technical details for the specific unit

#### Electrical Data

Frequency Range AC	50 ... 60 Hz
Residual Ripple DC	160 %
Contact Material	AgSnO <sub>2</sub>
Continuous Duty	100 %

#### Environmental Data

EMC	EN 50081-1, 01/92, EN 50082-2, 03/95
Vibration in accordance with EN 60068-2-6, 04/95	Frequency: 10 ... 55 Hz, Amplitude: 0.35 mm
Climatic Suitability	DIN IEC 60068-2-3, 12/86
Airgap Creepage	DIN VDE 0110 part 1, 04/97
Ambient Temperature	-10 ... +55 °C
Storage Temperature	-40 ... +85 °C

#### Mechanical Data

Torque Setting on Connection Terminals	0.6 Nm (screws)
Mounting Position	Any
Housing Material	Thermoplast Noryl SE 100
Protection	Mounting: IP 54 Housing: IP 40 Terminal Range: IP 20

The units were tested in accordance with the relevant standards current at the time of development.

### Order References

Type	U <sub>B</sub>	Order No.
P2HZ X1	24 V DC	774 340
P2HZ X1	24 V AC	774 330
P2HZ X1	42 V AC	774 331
P2HZ X1	110 V AC	774 434
P2HZ X1	115 V AC	774 435
P2HZ X1	120 V AC	774 436
P2HZ X1	230 V AC	774 438
P2HZ X1	240 V AC	774 439